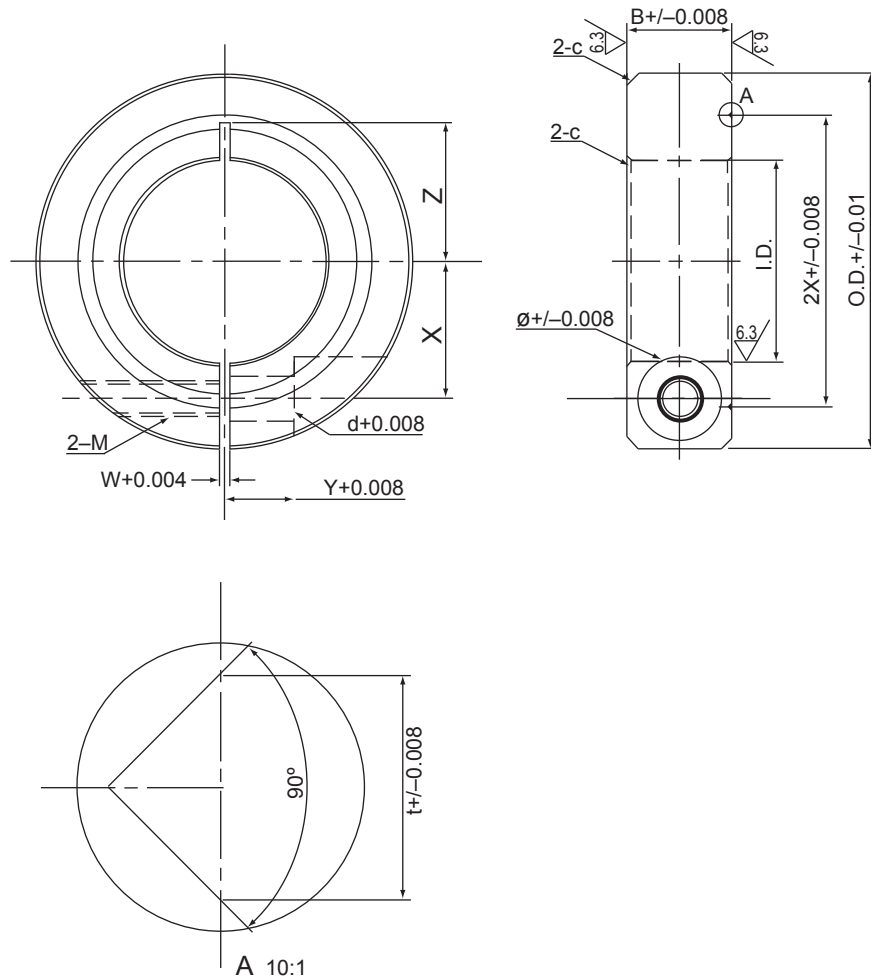




92 H.P. Almgren Drive, Agawam, MA 01001
1-800-593-2323 • collarsandcouplings.com



Part Number		Heavy Inch Single Split Collars											
Prefix	Black Oxide Steel (A283grC) (add suffix)	Stainless Steel 18-8 (add suffix)	I.D.	O.D.	Width	Cap Screw	d	c	W	X	Y	t	Z
CCI-12	-1-S-H	-1-SS-H	1/8	13/16	1/4	4-40x3/8	0.125	0.200	0.047	0.234	0.085	0.031	0.234
CCI-18	-1-S-H	-1-SS-H	3/16	13/16	1/4	4-40x3/8	0.125	0.200	0.047	0.250	0.085	0.031	0.250
CCI-25	-1-S-H	-1-SS-H	1/4	13/16	1/4	4-40x3/8	0.125	0.200	0.047	0.266	0.085	0.031	0.266
CCI-31	-1-S-H	-1-SS-H	5/16	13/16	1/4	4-40x3/8	0.125	0.200	0.047	0.281	0.085	0.031	0.281
CCI-37	-1-S-H	-1-SS-H	3/8	1-1/16	5/16	6-32x3/8	0.154	0.255	0.047	0.360	0.140	0.031	0.360
CCI-43	-1-S-H	-1-SS-H	7/16	1-1/16	5/16	6-32x3/8	0.154	0.255	0.047	0.375	0.140	0.031	0.375
CCI-50	-1-S-H	-1-SS-H	1/2	1-1/4	3/8	8-32x1/2	0.180	0.295	0.047	0.438	0.200	0.039	0.438
CCI-56	-1-S-H	-1-SS-H	9/16	1-5/16	3/8	10-32x1/2	0.180	0.295	0.047	0.453	0.200	0.039	0.453
CCI-62	-1-S-H	-1-SS-H	5/8	1-1/2	13/32	10-32x1/2	0.206	0.335	0.059	0.531	0.200	0.039	0.531
CCI-68	-1-S-H	-1-SS-H	11/16	1-1/2	13/32	10-32x1/2	0.206	0.335	0.059	0.547	0.200	0.039	0.547
CCI-75	-1-S-H	-1-SS-H	3/4	1-3/4	1/2	1/4-28x5/8	0.206	0.409	0.059	0.625	0.200	0.051	0.625
CCI-81	-1-S-H	-1-SS-H	13/16	1-3/4	1/2	1/4-28x5/8	0.206	0.409	0.059	0.641	0.200	0.051	0.641
CCI-87	-1-S-H	-1-SS-H	7/8	1-7/8	1/2	1/4-28x5/8	0.206	0.409	0.059	0.699	0.200	0.051	0.699
CCI-93	-1-S-H	-1-SS-H	15/16	1-7/8	1/2	1/4-28x5/8	0.206	0.409	0.059	0.703	0.200	0.051	0.703
CCI-100	-1-S-H	-1-SS-H	1	2	1/2	1/4-28x5/8	0.206	0.409	0.059	0.750	0.200	0.051	0.750
CCI-106	-1-S-H	-1-SS-H	1-1/16	2	1/2	1/4-28x5/8	0.206	0.409	0.059	0.765	0.200	0.051	0.765
CCI-112	-1-S-H	-1-SS-H	1-1/8	2-1/8	1/2	1/4-28x5/8	0.206	0.409	0.059	0.813	0.250	0.051	0.813
CCI-118	-1-S-H	-1-SS-H	1-3/16	2-1/8	1/2	1/4-28x5/8	0.206	0.409	0.059	0.828	0.250	0.051	0.828
CCI-125	-1-S-H	-1-SS-H	1-1/4	2-1/4	1/2	1/4-28x5/8	0.206	0.409	0.059	0.875	0.250	0.051	0.875
CCI-131	-1-S-H	-1-SS-H	1-5/16	2-1/4	1/2	1/4-28x5/8	0.206	0.409	0.059	0.891	0.250	0.051	0.891
CCI-137	-1-S-H	-1-SS-H	1-3/8	2-3/8	1/2	1/4-28x5/8	0.206	0.409	0.059	0.938	0.250	0.051	0.938
CCI-143	-1-S-H	-1-SS-H	1-7/16	2-3/8	1/2	1/4-28x5/8	0.206	0.409	0.059	0.953	0.250	0.051	0.953
CCI-150	-1-S-H	-1-SS-H	1-1/2	2-1/2	1/2	1/4-28x5/8	0.206	0.409	0.059	1.000	0.250	0.051	1.000
CCI-156	-1-S-H	-1-SS-H	1-9/16	2-1/2	1/2	1/4-28x5/8	0.206	0.409	0.059	1.016	0.250	0.051	0
CCI-162	-1-S-H	-1-SS-H	1-5/8	3	5/8	5/16-24x7/8	0.328	0.514	0.059	1.156	0.321	0.051	0
CCI-168	-1-S-H	-1-SS-H	1-11/16	3	5/8	5/16-24x7/8	0.328	0.514	0.059	1.172	0.321	0.051	0
CCI-175	-1-S-H	-1-SS-H	1-3/4	3	5/8	5/16-24x7/8	0.328	0.514	0.059	1.188	0.321	0.051	0
CCI-187	-1-S-H	-1-SS-H	1-7/8	3-1/4	5/8	5/16-24x7/8	0.328	0.514	0.059	1.281	0.321	0.051	0
CCI-193	-1-S-H	-1-SS-H	1-15/16	3-1/4	5/8	5/16-24x7/8	0.328	0.514	0.059	1.297	0.321	0.051	0
CCI-200	-1-S-H	-1-SS-H	2	3-1/4	5/8	5/16-24x7/8	0.328	0.514	0.059	1.313	0.321	0.051	0
CCI-212	-1-S-H	-1-SS-H	2-1/8	3-1/2	5/8	5/16-24x7/8	0.328	0.514	0.059	1.406	0.321	0.051	0
CCI-218	-1-S-H	-1-SS-H	2-3/16	3-1/2	5/8	5/16-24x7/8	0.328	0.514	0.059	1.422	0.321	0.051	0
CCI-225	-1-S-H	-1-SS-H	2-1/4	3-1/2	5/8	5/16-24x7/8	0.328	0.514	0.059	1.438	0.321	0.051	0
CCI-237	-1-S-H	-1-SS-H	2-3/8	3-1/2	5/8	5/16-24x7/8	0.328	0.514	0.059	1.469	0.321	0.051	0
CCI-243	-1-S-H	-1-SS-H	2-7/16	4	3/4	3/8-24x7/8	0.390	0.609	0.078	1.609	0.321	0.051	0
CCI-250	-1-S-H	-1-SS-H	2-1/2	4	3/4	3/8-24x7/8	0.390	0.609	0.078	1.625	0.321	0.051	0
CCI-262	-1-S-H	-1-SS-H	2-5/8	4-1/4	3/4	3/8-24x7/8	0.390	0.609	0.078	1.719	0.321	0.051	0
CCI-275	-1-S-H	-1-SS-H	2-3/4	4-1/4	3/4	3/8-24x7/8	0.390	0.609	0.078	1.750	0.321	0.051	0
CCI-287	-1-S-H	-1-SS-H	2-7/8	4-1/2	3/4	3/8-24x7/8	0.390	0.609	0.078	1.837	0.321	0.051	0
CCI-293	-1-S-H	-1-SS-H	2-15/16	4-1/2	3/4	3/8-24x7/8	0.390	0.609	0.078	1.859	0.321	0.051	0
CCI-300	-1-S-H	-1-SS-H	3	4-1/2	3/4	3/8-24x7/8	0.390	0.609	0.078	1.875	0.321	0.051	0
CCI-325	-1-S-H	n/a	3-1/4	4-3/4	3/4	3/8-24x1-1/4	0.390	0.609	0.078	2.000	0.321	0.051	0
CCI-343	-1-S-H	n/a	3-7/16	5	3/4	3/8-24x1-1/4	0.390	0.609	0.078	2.109	0.321	0.051	0
CCI-350	-1-S-H	n/a	3-1/2	5	3/4	3/8-24x1-1/4	0.390	0.609	0.078	2.125	0.321	0.051	0
CCI-393	-1-S-H	n/a	3-15/16	5-3/4	1	3/8-24x1-1/4	0.390	0.609	0.078	2.422	0.321	0.051	0
CCI-400	-1-S-H	n/a	4	5-3/4	1	3/8-24x1-1/4	0.390	0.609	0.078	2.438	0.321	0.051	0
CCI-443	n/a	n/a	4-7/16	6-1/4	1	1/2-20x1-1/4	0.562	0.843	0.078	2.697	0.391	0.051	0
CCI-450	n/a	n/a	4-1/2	6-1/4	1	1/2-20x1-1/4	0.562	0.843	0.078	2.697	0.391	0.051	0
CCI-493	n/a	n/a	4-15/16	6-3/4	1	1/2-20x1-1/4	0.562	0.843	0.078	2.953	0.391	0.051	0
CCI-500	n/a	n/a	5	6-3/4	1	1/2-20x1-1/4	0.562	0.843	0.078	2.953	0.391	0.051	0