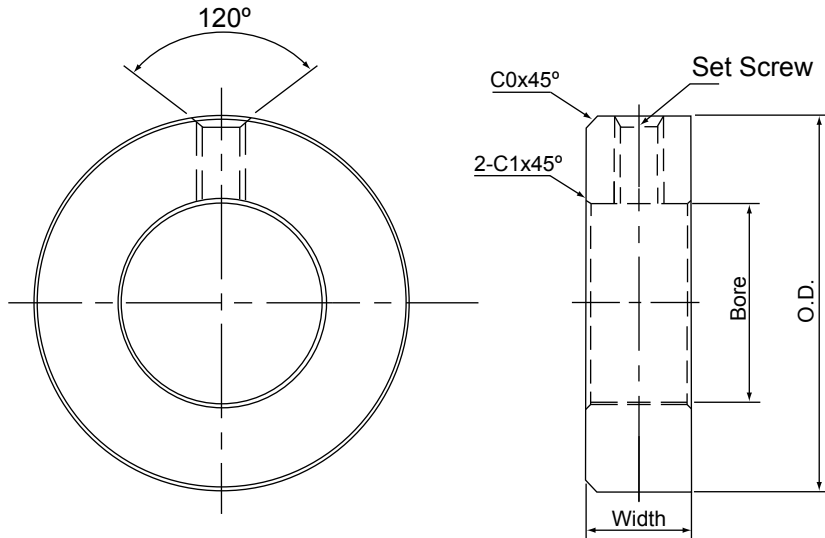




92 H.P. Almgren Drive, Agawam, MA 01001  
 1-800-593-2323 • collarsandcouplings.com



| Part Number |  |  |                                       |                                   | Inch Set Screw Collars |         |        |          |       |       |              |       |       |
|-------------|--|--|---------------------------------------|-----------------------------------|------------------------|---------|--------|----------|-------|-------|--------------|-------|-------|
| Prefix      | Zinc Plated Steel (A283grC) (add suffix) | Black Oxide Steel (A283grC) (add suffix) | Unplated Steel (A283grC) (add suffix) | Stainless Steel 18-8 (add suffix) | Bore                   |         | O.D.   |          | Width |       | Set Screw    | CO    | C1    |
| SC-12       | -Z                                       | -B                                       | -U                                    | -S                                | 1/8                    | +0.003  | 3/8    |          | 1/4   |       | 6-32x1/8     | 0.04  |       |
| SC-18       | -Z                                       | -B                                       | -U                                    | -S                                | 3/16                   | +0.0008 | 7/16   | +/-      |       |       | 8-32x1/8     | +/-   | 0.024 |
| SC-25       | -Z                                       | -B                                       | -U                                    | -S                                | 1/4                    |         | 1/2    | 0.014    | 5/16  | 0.012 | 10-32x1/8    | 0.01  | +/-   |
| SC-31       | -Z                                       | -B                                       | -U                                    | -S                                | 5/16                   |         | 5/8    |          | 3/8   |       | 1/4-20x3/16  |       | 0.006 |
| SC-37       | -Z                                       | -B                                       | -U                                    | -S                                | 3/8                    |         | 3/4    |          |       |       |              |       |       |
| SC-43       | -Z                                       | -B                                       | -U                                    | -S                                | 7/16                   |         | 7/8    | +/-      | 7/16  |       | 1/4-20x1/4   | 0.06  |       |
| SC-50       | -Z                                       | -B                                       | -U                                    | -S                                | 1/2                    |         | 1      | 0.016    |       |       |              | +/-   | 0.04  |
| SC-56       | -Z                                       | -B                                       | -U                                    | -S                                | 9/16                   |         |        |          |       |       |              | 0.014 | 0.01  |
| SC-62       | -Z                                       | -B                                       | -U                                    | -S                                | 5/8                    | +0.004  | 1-1/8  |          | 1/2   |       |              |       |       |
| SC-68       | -Z                                       | -B                                       | -U                                    | -S                                | 11/16                  | +0.0008 | 1-1/4  |          |       |       |              |       |       |
| SC-75       | -Z                                       | -B                                       | -U                                    | -S                                | 3/4                    |         | 1-5/16 |          | 9/16  | +/-   | 5/16-18x1/4  | 0.08  |       |
| SC-81       | -Z                                       | -B                                       | -U                                    | -S                                | 13/16                  |         | 1-1/2  | +/- 0.02 |       | 0.014 |              | +/-   | 0.05  |
| SC-87       | -Z                                       | -B                                       | -U                                    | -S                                | 7/8                    |         | 1-5/8  |          |       |       | 5/16-18x5/16 | 0.016 | 0.014 |
| SC-93       | -Z                                       | -B                                       | -U                                    | -S                                | 15/16                  |         | 1-3/4  |          | 5/8   |       |              |       |       |
| SC-100      | -Z                                       | -B                                       | -U                                    | -S                                | 1                      |         |        |          |       |       |              |       |       |
| SC-106      | -Z                                       | -B                                       | -U                                    | -S                                | 1-1/16                 |         | 1-3/4  |          |       |       |              |       |       |
| SC-112      | -Z                                       | -B                                       | -U                                    | -S                                | 1-1/8                  |         |        |          |       |       |              |       |       |
| SC-118      | -Z                                       | -B                                       | -U                                    | -S                                | 1-3/16                 |         | 2      |          | 11/16 |       |              |       |       |
| SC-125      | -Z                                       | -B                                       | -U                                    | -S                                | 1-1/4                  |         | 2-1/8  |          |       |       |              |       |       |
| SC-131      | -Z                                       | -B                                       | -U                                    | -S                                | 1-5/16                 |         | 2-1/4  |          | 3/4   |       | 3/8-16x3/8   |       |       |
| SC-137      | -Z                                       | -B                                       | -U                                    | -S                                | 1-3/8                  |         | 2-1/2  |          |       |       |              |       |       |
| SC-143      | -Z                                       | -B                                       | -U                                    | -S                                | 1-7/16                 |         |        |          |       |       |              |       |       |
| SC-150      | -Z                                       | -B                                       | -U                                    | -S                                | 1-1/2                  |         | 2-1/2  |          | 13/16 |       |              |       | 0.08  |
| SC-156      | -Z                                       | -B                                       | -U                                    | -S                                | 1-9/16                 |         |        |          |       |       |              |       | +/-   |
| SC-162      | -Z                                       | -B                                       | -U                                    | -S                                | 1-5/8                  |         | 2-5/8  |          |       |       |              |       | 0.016 |
| SC-168      | -Z                                       | -B                                       | -U                                    | -S                                | 1-11/16                |         |        |          |       |       |              |       |       |
| SC-175      | -Z                                       | -B                                       | -U                                    | -S                                | 1-3/4                  |         | 2-3/4  | +/-      | 7/8   | 0.024 |              | 0.1   |       |
| SC-181      | -Z                                       | -B                                       | -U                                    | -S                                | 1-13/16                |         |        |          |       |       |              | +/-   | 0.02  |
| SC-187      | -Z                                       | -B                                       | -U                                    | -S                                | 1-7/8                  |         | 3      |          |       |       |              |       |       |
| SC-193      | -Z                                       | -B                                       | -U                                    | -S                                | 1-15/16                |         |        |          |       |       |              |       |       |
| SC-200      | -Z                                       | -B                                       | -U                                    | -S                                | 2                      | +0.006  |        |          |       |       |              |       |       |
| SC-206      | -Z                                       | n/a                                      | n/a                                   | -S                                | 2-1/16                 | +0.0008 | 3      |          |       |       |              |       |       |
| SC-212      | -Z                                       | -B                                       | -U                                    | -S                                | 2-1/8                  |         |        |          |       |       |              |       |       |
| SC-218      | -Z                                       | -B                                       | -U                                    | -S                                | 2-3/16                 |         |        |          |       |       |              |       |       |
| SC-225      | -Z                                       | -B                                       | -U                                    | -S                                | 2-1/4                  |         | 3-1/4  |          | 15/16 | +/-   |              |       |       |
| SC-231      | -Z                                       | -B                                       | -U                                    | n/a                               | 2-5/16                 |         |        |          |       | 0.016 |              |       |       |
| SC-237      | -Z                                       | -B                                       | -U                                    | -S                                | 2-3/8                  |         |        |          |       |       |              |       |       |
| SC-243      | -Z                                       | -B                                       | -U                                    | -S                                | 2-7/16                 |         | 3-1/2  |          | 1     |       | 1/2-13x1/2   |       |       |
| SC-250      | -Z                                       | -B                                       | -U                                    | -S                                | 2-1/2                  |         |        |          |       |       |              |       |       |
| SC-256      | -Z                                       | -B                                       | -U                                    | -S                                | 2-9/16                 |         | 3-3/4  |          |       |       |              |       |       |
| SC-262      | -Z                                       | -B                                       | -U                                    | n/a                               | 2-5/8                  |         |        |          |       |       |              |       |       |
| SC-268      | -Z                                       | -B                                       | -U                                    | -S                                | 2-11/16                |         |        |          |       |       |              |       |       |
| SC-275      | -Z                                       | -B                                       | -U                                    | -S                                | 2-3/4                  |         | 4      |          |       |       |              |       |       |
| SC-281      | -Z                                       | -B                                       | -U                                    | n/a                               | 2-13/16                |         |        |          |       |       |              |       |       |
| SC-287      | -Z                                       | -B                                       | -U                                    | -S                                | 2-7/8                  |         |        |          |       |       |              |       |       |
| SC-293      | -Z                                       | -B                                       | -U                                    | -S                                | 2-15/16                |         | 4-1/4  | +/-      | 1-1/8 | 0.028 |              | 0.12  |       |
| SC-300      | -Z                                       | -B                                       | -U                                    | -S                                | 3                      |         |        |          |       |       |              | +/-   | 0.02  |
| SC-325      | -Z                                       | n/a                                      | n/a                                   | n/a                               | 3-1/4                  |         |        |          |       |       |              |       |       |
| SC-343      | -Z                                       | -B                                       | -U                                    | n/a                               | 3-7/16                 | +0.008  | 4-1/2  |          |       |       |              |       |       |
| SC-350      | -Z                                       | n/a                                      | n/a                                   | n/a                               | 3-1/2                  | +0.0008 |        |          |       |       |              |       |       |
| SC-393      | -Z                                       | -B                                       | -U                                    | n/a                               | 3-15/16                |         |        |          |       |       |              |       |       |
| SC-400      | -Z                                       | n/a                                      | n/a                                   | n/a                               | 4                      |         | 5      |          |       |       |              |       |       |