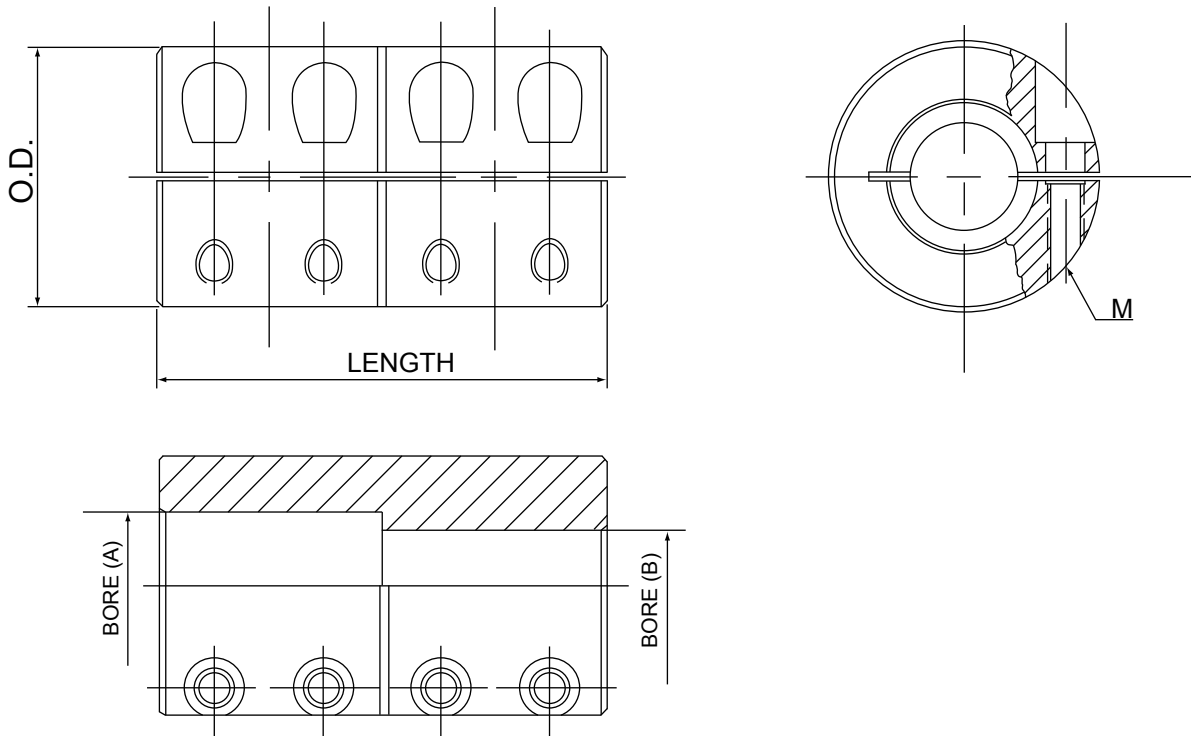




92 H.P. Almgren Drive, Agawam, MA 01001
 1-800-593-2323 • collarsandcouplings.com



Part Number	Machinable Single Split Couplings				
	BORE		O.D.	LENGTH	SCREW M
Black Oxide Steel (A283grC)	A	B			
MCP50	0.500	0.235	1.250	1.875	8-32x3/8
MCP62	0.625	0.235	1.500	2.250	10-32x1/2
MCP75	0.750	0.235	1.750	2.625	1/4-28x5/8
MCP87	0.875	0.235	1.875	2.875	1/4-28x5/8
MCP100	1.000	0.360	2.000	3.000	1/4-28x5/8
MCP112	1.125	0.360	2.125	3.250	1/4-28x5/8
MCP125	1.250	0.360	2.250	3.375	1/4-28x5/8
MCP137	1.375	0.360	2.375	3.625	1/4-28x5/8
MCP150	1.500	0.485	2.500	3.750	1/4-28x5/8
MCP175	1.750	0.485	3.000	4.500	5/16-24x7/8
MCP200	2.000	0.485	3.250	4.875	5/16-24x7/8