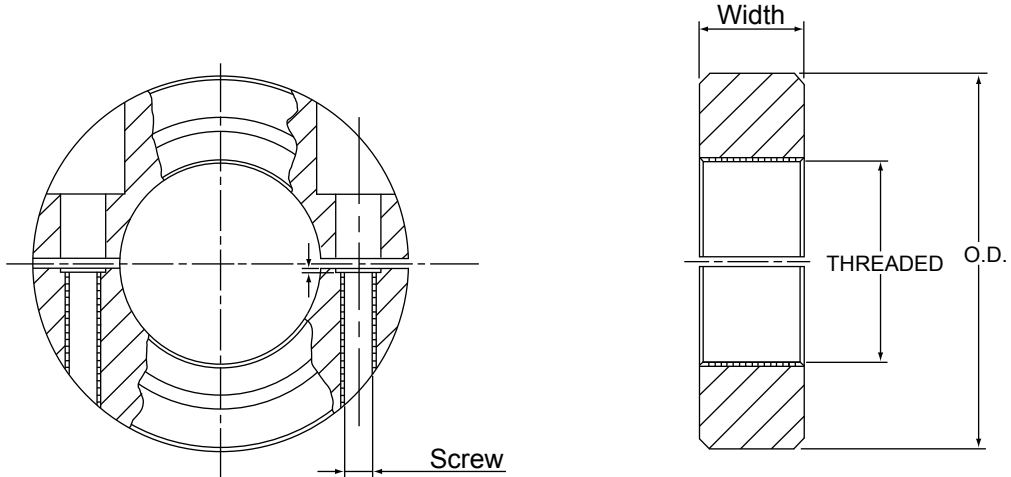




92 H.P. Almgren Drive, Agawam, MA 01001
 1-800-593-2323 • collarsandcouplings.com



Part Number	Inch Threaded Double Split Collars			
Black Oxide Steel (A283grC)	Bore	O.D. +/- 0.008	Width +/- 0.008	Screw
2CTS-10-32	10-32	5/8	5/16	#4-40x3/8
2CTS-1/4-20	1/4-20	11/16		
2CTS-1/4-28	1/4-28			
2CTS-5/16-18	5/16-18			
2CTS-5/16-24	5/16-24	7/8	11/32	#6-32x3/8
2CTS-3/8-16	3/8-16			
2CTS-3/8-24	3/8-24	15/16	3/8	#8-32x1/2
2CTS-7/16-14	7/16-14			
2CTS-7/16-20	7/16-20	1-1/8	13/32	#8-32x1/2
2CTS-1/2-13	1/2-13			
2CTS-1/2-20	1/2-20	1-5/16	7/16	#10-32x1/2
2CTS-5/8-11	5/8-11			
2CTS-5/8-18	5/8-18	1-1/2	1/2	1/4-28x5/8
2CTS-3/4-10	3/4-10			
2CTS-3/4-16	3/4-16	1-5/8	9/16	5/16-24x7/8
2CTS-7/8-9	7/8-9			
2CTS-7/8-14	7/8-14	1-3/4	3/4	
2CTS-1-8	1-8			
2CTS-1-12	1-12	2-1/16	11/16	
2CTS-1-14	1-14			
2CTS-1-1/8-12	1-1/8-12	2-3/8	3/4	
2CTS-1-1/4-7	1-1/4-7			
2CTS-1-1/4-12	1-1/4-12	3	3/4	
2CTS-1-1/2-6	1-1/2-6			
2CTS-1-1/2-12	1-1/2-12	3-1/4	3/4	
2CTS-2-12	2-12			
2CTS-2-1/4-12	2-1/4-12			