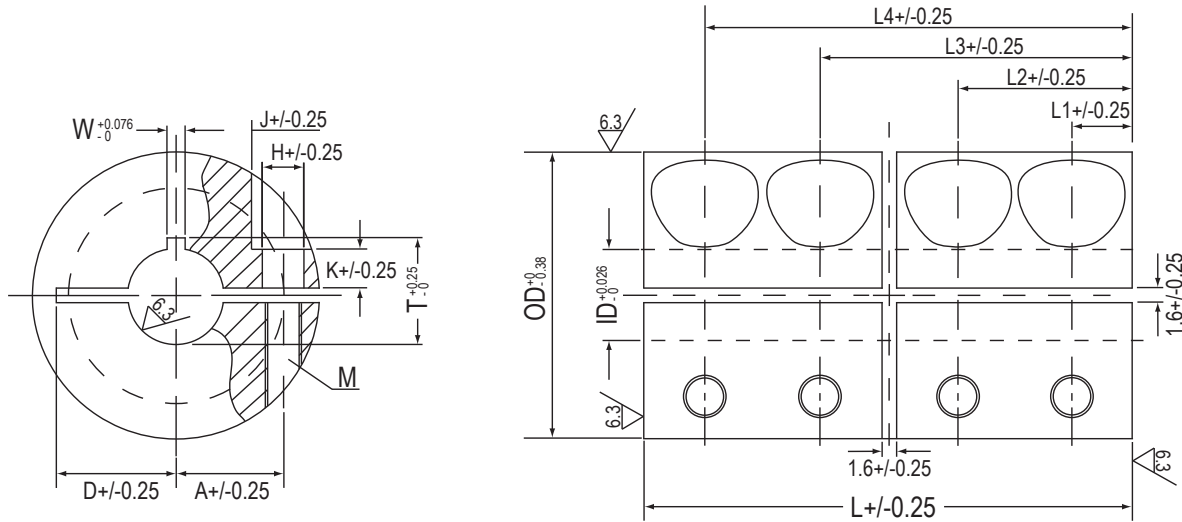




92 H.P. Almgren Drive, Agawam, MA 01001
 1-800-593-2323 • collarsandcouplings.com



Part Number					Metric Single Split Couplings														
Prefix	Black Oxide Steel (A283grC)		Stainless Steel 18-8		ID	OD	J	H	K	L	L1	L2	L3	L4	D	A	T (if requested)	W (if requested)	Screw M
	no keyway (no suffix)	keyway (add suffix)	no keyway (add suffix)	keyway (add suffix)															
CFM-6-6		n/a	-SS	n/a	6 x 6	18	6.68	3.6	2.6	30	3.62	10.580	19.420	26.380	7.000	6	n/a	n/a	M3x8
CFM-8-8		n/a	-SS	n/a	8 x 8	24	6.68	3.6	2.6	35	4.453	12.247	22.753	30.547	9.000	8	n/a	n/a	M3x10
CFM-9-9		n/a	-SS	n/a	9 x 9	24	6.68	3.6	2.6	35	4.453	12.247	22.753	30.547	9.250	8.25	n/a	n/a	M3x10
CFM-10-10		n/a	-SS	n/a	10 x 10	29	8.22	4.7	3.5	45	5.863	15.837	29.163	39.137	10.750	9.75	n/a	n/a	M4x12
CFM-12-12		-K	-SS	-SS-K	12 x 12	29	8.22	4.7	3.5	45	5.863	15.837	29.163	39.137	11.250	10.25	13.80	4	M4x12
CFM-14-14		-K	-SS	-SS-K	14 x 14	34	9.72	5.7	4.9	50	6.447	17.753	32.247	43.553	13.000	12	16.30	5	M5x16
CFM-15-15		-K	-SS	-SS-K	15 x 15	34	9.72	5.7	4.9	50	6.447	17.753	32.247	43.553	13.250	12.25	17.30	5	M5x16
CFM-16-16		-K	-SS	-SS-K	16 x 16	34	9.72	5.7	4.9	50	6.447	17.753	32.247	43.553	13.500	12.5	18.30	5	M5x16
CFM-20-20		-K	-SS	-SS-K	20 x 20	42	11.22	6.8	5.4	65	8.697	23.000	42.000	56.300	13.500	12.5	22.80	6	M6x16
CFM-25-25		-K	-SS	-SS-K	25 x 25	45	11.22	6.8	5.4	75	10.36	26.340	48.660	64.640	18.500	17.5	28.30	8	M6x16
CFM-30-30		-K	-SS	-SS-K	30 x 30	53	11.22	6.8	5.4	83	11.69	29.000	53.000	71.300	21.750	20.75	33.30	8	M6x18
CFM-35-35		-K	-SS	-SS-K	35 x 35	67	14.27	9.2	7.0	95	13.18	33.510	61.490	81.810	26.450	25.45	38.30	10	M8x25
CFM-40-40		-K	-SS	-SS-K	40 x 40	77	14.27	9.2	7.0	108	15.35	37.500	70.150	92.650	30.250	29.25	43.30	12	M8x25
CFM-50-50		-K	n/a	n/a	50 x 50	85	17.27	11.8	8.0	124	17.52	43.680	80.320	106.480	34.750	33.75	53.80	14	M10x25