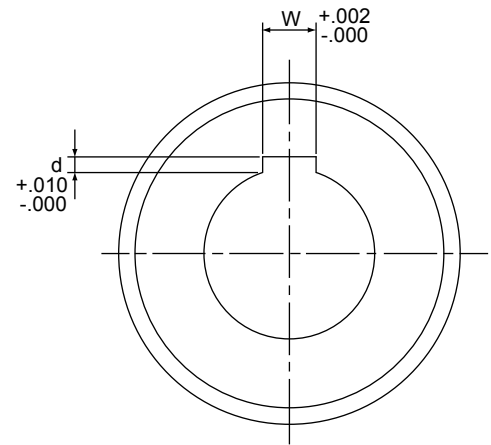
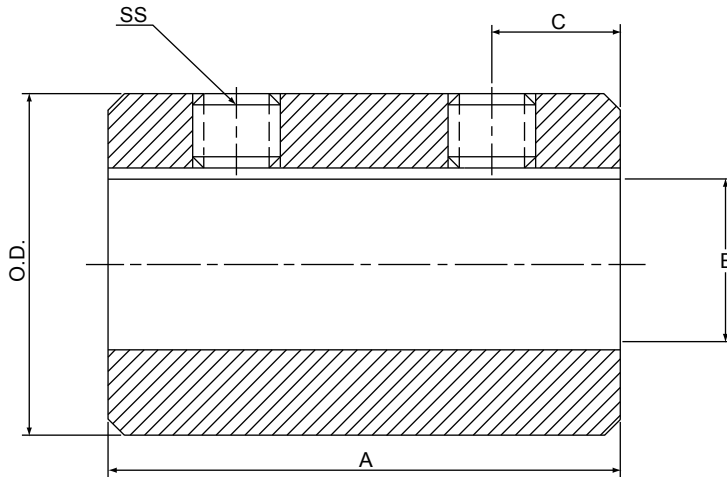




92 H.P. Almgren Drive, Agawam, MA 01001  
 1-800-593-2323 • collarsandcouplings.com



Part Number			Inch Rigid Set Screw Couplings						
Prefix	Black Oxide Steel (A283grC) no keyway (no suffix)	Black Oxide Steel (A283grC) with keyway (add suffix)	B	A	OD	SS	C		
RC-25		n/a	0.251/0.253	3/4	+/- 0.010	1/2	10-32x3/16	3/16	+/- 0.010
RC-31		n/a	0.3135/0.3155	1		5/8	10-32x3/16	1/4	
RC-37		n/a	0.376/0.378	1		3/4	1/4-20x3/16	1/4	
RC-50		-K	0.501/0.503	1-1/2		1	1/4-20x1/4	3/8	
RC-62		-K	0.626/0.628	2		1-1/4	5/16-18x5/16	1/2	
RC-75		-K	0.751/0.753	2		1-1/2	5/16-18x3/8	1/2	
RC-87		-K	0.876/0.878	2		1-3/4	3/8-16x3/8	1/2	
RC-100		-K	1.001/1.003	3		2	3/8-16x3/8	3/4	
RC-125		-K	1.251/1.253	4		2-1/4	3/8-16x3/8	1	
RC-137		-K	1.376/1.378	4-1/2		2-1/2	3/8-16x3/8	1	
RC-150		-K	1.501/1.503	4-1/2		2-1/2	3/8-16x3/8	1	