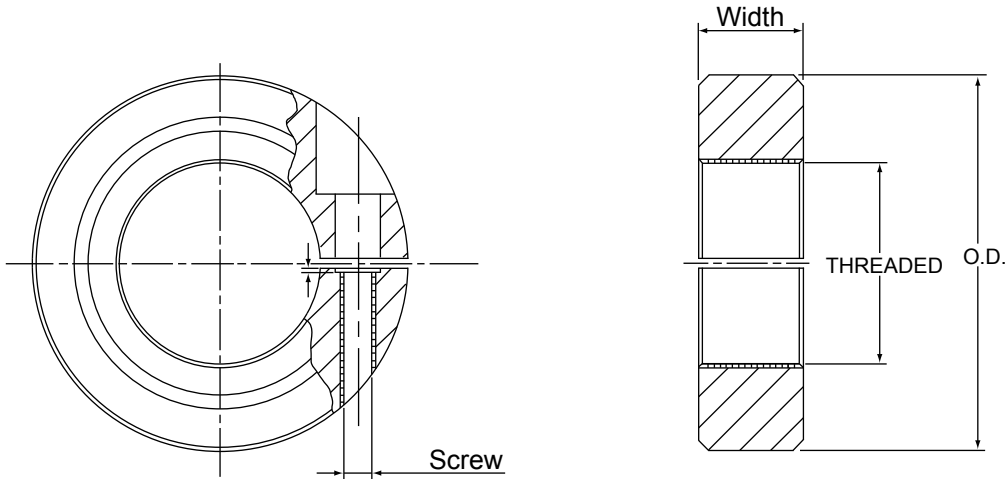




49 Heywood Ave. • West Springfield, MA 01089
 1-800-593-2323 • collarsandcouplings.com



| Part Number | | | Inch Threaded Single Split Collars | | | |
|--------------|--|-----------------------------------|------------------------------------|----------------|-----------------|-------------|
| Prefix | Black Oxide Steel (A283grC) (add suffix) | Stainless Steel 18-8 (add suffix) | Bore | O.D. +/- 0.008 | Width +/- 0.008 | Screw |
| CTS-10-32 | | -SS | 10-32 | 5/8 | 5/16 | #4-40x3/8 |
| CTS-1/4-20 | | -SS | 1/4-20 | 11/16 | | |
| CTS-1/4-28 | | -SS | 1/4-28 | | | |
| CTS-5/16-18 | | -SS | 5/16-18 | | | |
| CTS-5/16-24 | | -SS | 5/16-24 | 7/8 | | |
| CTS-3/8-16 | | -SS | 3/8-16 | 15/16 | | |
| CTS-3/8-24 | | -SS | 3/8-24 | | | |
| CTS-7/16-14 | | -SS | 7/16-14 | 1-1/8 | 3/8 | #8-32x1/2 |
| CTS-7/16-20 | | -SS | 7/16-20 | | | |
| CTS-1/2-13 | | -SS | 1/2-13 | 1-5/16 | 7/16 | #10-32x1/2 |
| CTS-1/2-20 | | -SS | 1/2-20 | | | |
| CTS-5/8-11 | | -SS | 5/8-11 | 1-1/2 | 1/2 | 1/4-28x5/8 |
| CTS-5/8-18 | | -SS | 5/8-18 | | | |
| CTS-3/4-10 | | -SS | 3/4-10 | | | |
| CTS-3/4-16 | | -SS | 3/4-16 | | | |
| CTS-7/8-9 | | -SS | 7/8-9 | | | |
| CTS-7/8-14 | | -SS | 7/8-14 | | | |
| CTS-1-8 | | -SS | 1-8 | | | |
| CTS-1-12 | | -SS | 1-12 | | | |
| CTS-1-14 | | -SS | 1-14 | | | |
| CTS-1-1/8-12 | | -SS | 1-1/8-12 | | | |
| CTS-1-1/4-7 | | -SS | 1-1/4-7 | 2-1/16 | | |
| CTS-1-1/4-12 | | -SS | 1-1/4-12 | | | |
| CTS-1-1/2-6 | | -SS | 1-1/2-6 | 2-3/8 | 9/16 | |
| CTS-1-1/2-12 | | -SS | 1-1/2-12 | | | |
| CTS-2-12 | | n/a | 2-12 | 3 | 11/16 | 5/16-24x7/8 |
| CTS-2-1/4-12 | | n/a | 2-1/4-12 | 3-1/4 | 3/4 | |