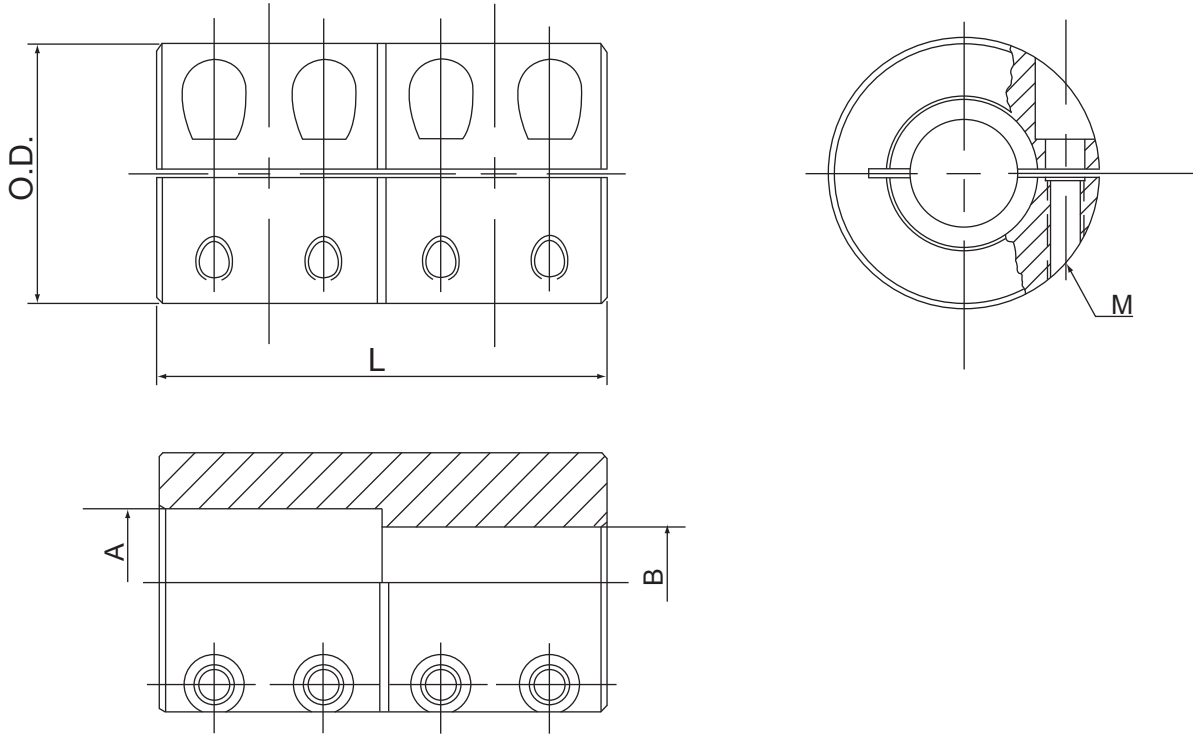




49 Heywood Ave. • West Springfield, MA 01089
 1-800-593-2323 • collarsandcouplings.com



Part Number					Inch Single Split Couplings					
Prefix	Black Oxide Steel (A283grC)		Stainless Steel 18-8		Bore			O.D. -0.010	Screw (M)	L (+/-) 0.005
	no keyway (no suffix)	keyway (add suffix)	no keyway (add suffix)	keyway (add suffix)	A	B				
	CCF-1/4-1/4		n/a	-SS	n/a	0.250	0.250		0.690	#4-40x3/8
CCF-3/8-1/4		n/a	-SS	n/a	0.375	0.250		0.870	#4-40x3/8	1.375
CCF-3/8-3/8		n/a	-SS	n/a	0.375	0.375		0.870	#6-32x3/8	1.375
CCF-1/2-3/8		n/a	-SS	n/a	0.500	0.375		1.130	#8-32x1/2	1.750
CCF-1/2-1/2		-K	-SS	-SS-K	0.500	0.500		1.130	#8-32x1/2	1.750
CCF-5/8-1/2		n/a	-SS	n/a	0.625	0.500		1.310	#10-32x1/2	2.000
CCF-5/8-5/8		-K	-SS	-SS-K	0.625	0.625		1.310	#10-32x1/2	2.000
CCF-3/4-1/2		n/a	-SS	n/a	0.750	0.500		1.500	1/4-28x5/8	2.250
CCF-3/4-5/8		n/a	-SS	n/a	0.750	0.625		1.500	1/4-28x5/8	2.250
CCF-3/4-3/4		-K	-SS	-SS-K	0.750	0.750		1.500	1/4-28x5/8	2.250
CCF-7/8-5/8		n/a	-SS	n/a	0.875	0.625		1.630	1/4-28x5/8	2.500
CCF-7/8-7/8		-K	-SS	-SS-K	0.875	0.875	+0.003	1.630	1/4-28x5/8	2.500
CCF-1-1/2		n/a	-SS	n/a	1.000	0.500	-0.000	1.750	1/4-28x5/8	3.000
CCF-1-3/4		n/a	-SS	n/a	1.000	0.750		1.750	1/4-28x5/8	3.000
CCF-1-1		-K	-SS	-SS-K	1.000	1.000		1.750	1/4-28x5/8	3.000
CCF-1 1/8-1		n/a	-SS	n/a	1.125	1.000		1.875	1/4-28x5/8	3.125
CCF-1 1/8-1 1/8		-K	-SS	-SS-K	1.125	1.125		1.875	1/4-28x5/8	3.125
CCF-1 1/4-1		n/a	-SS	n/a	1.250	1.000		2.060	1/4-28x5/8	3.250
CCF-1 1/4-1 1/4		-K	-SS	-SS-K	1.250	1.250		2.060	1/4-28x5/8	3.250
CCF-1 3/8-1		n/a	-SS	n/a	1.375	1.000		2.250	1/4-28x5/8	3.500
CCF-1 3/8-1 3/8		-K	-SS	-SS-K	1.375	1.375		2.250	1/4-28x5/8	3.500
CCF-1 1/2-1		n/a	-SS	n/a	1.500	1.000		2.500	1/4-28x5/8	3.750
CCF-1 1/2-1 1/2		-K	-SS	-SS-K	1.500	1.500		2.500	1/4-28x5/8	3.750
CCF-1 3/4-1 3/4		-K	n/a	n/a	1.750	1.750		3.000	5/16-24x7/8	4.500
CCF-2-2		-K	-SS	-SS-K	2.000	2.000		3.250	5/16-24x7/8	4.875