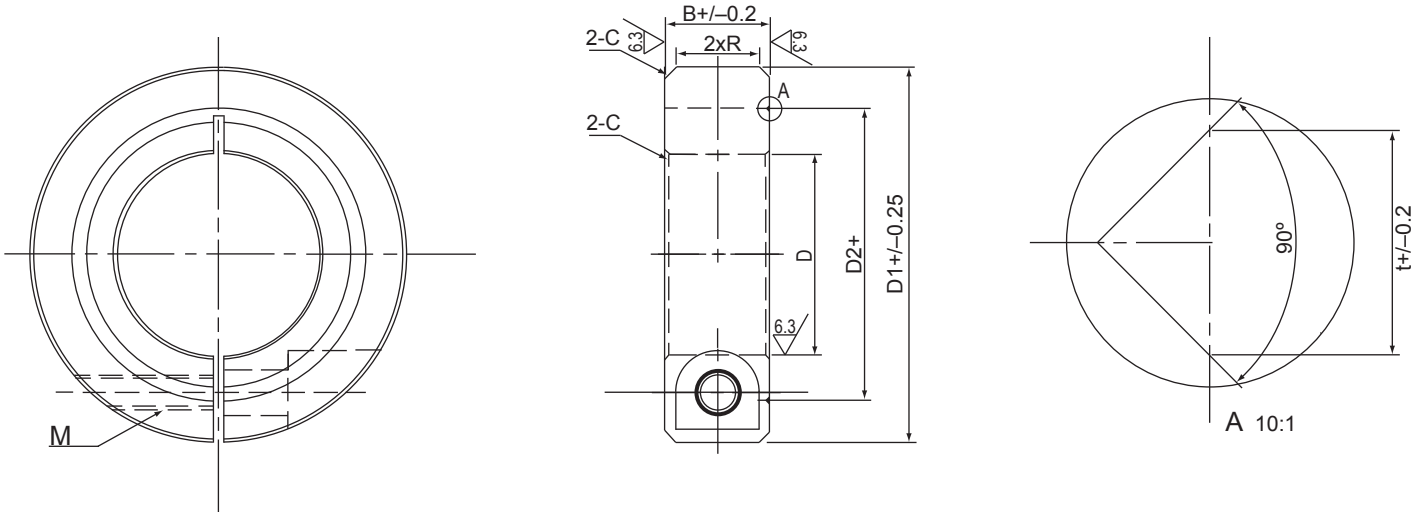




49 Heywood Ave. • West Springfield, MA 01089  
 1-800-593-2323 • collarsandcouplings.com



Part Number			Metric Single Split Collars					
Prefix	Black Oxide Steel (A283grC) (add suffix)	Stainless Steel 18-8 (add suffix)	D(I.D.)	D1(O.D.)	B (Width)	Screw M		
CCM-3	-1-S	-1-SS	3	+0.08	16	9	M-3x8	
CCM-4	-1-S	-1-SS	4		16		9	M-3x8
CCM-5	-1-S	-1-SS	5	+0.01	16	9	M-3x8	
CCM-6	-1-S	-1-SS	6		16		9	M-3x8
CCM-8	-1-S	-1-SS	8	+0.10	18	9	M-3x8	
CCM-9	-1-S	-1-SS	9		24		9	M-3x10
CCM-10	-1-S	-1-SS	10	+0.02	24	9	M-3x10	
CCM-12	-1-S	-1-SS	12		28		11	M-4x12
CCM-13	-1-S	-1-SS	13	+0.02	30	11	M-4x12	
CCM-14	-1-S	-1-SS	14		30		11	M-4x12
CCM-15	-1-S	-1-SS	15	+0.15	34	13	M-5x16	
CCM-16	-1-S	-1-SS	16		34		13	M-5x16
CCM-17	-1-S	-1-SS	17	+0.02	36	13	M-5x16	
CCM-18	-1-S	-1-SS	18		36		13	M-5x16
CCM-20	-1-S	-1-SS	20	+0.15	40	15	M-6x16	
CCM-25	-1-S	-1-SS	25		45		15	M-6x16
CCM-30	-1-S	-1-SS	30	+0.02	54	15	M-6x18	
CCM-35	-1-S	-1-SS	35		57		15	M-6x18
CCM-40	-1-S	-1-SS	40	+0.15	60	15	M-6x18	
CCM-45	-1-S	-1-SS	45		73		19	M-6x18
CCM-50	-1-S	-1-SS	50	+0.02	78	19	M-8x25	
CCM-55	-1-S	-1-SS	55		82		19	M-8x25
CCM-60	-1-S	-1-SS	60	+0.15	88	19	M-8x25	
CCM-65	-1-S	-1-SS	65		93		19	M-8x25
CCM-70	-1-S	-1-SS	70	+0.02	98	19	M-8x25	
CCM-75	-1-S	-1-SS	75		103		19	M-8x25
CCM-80	-1-S	-1-SS	80	+0.20/+0.02	108	19	M-8x25	