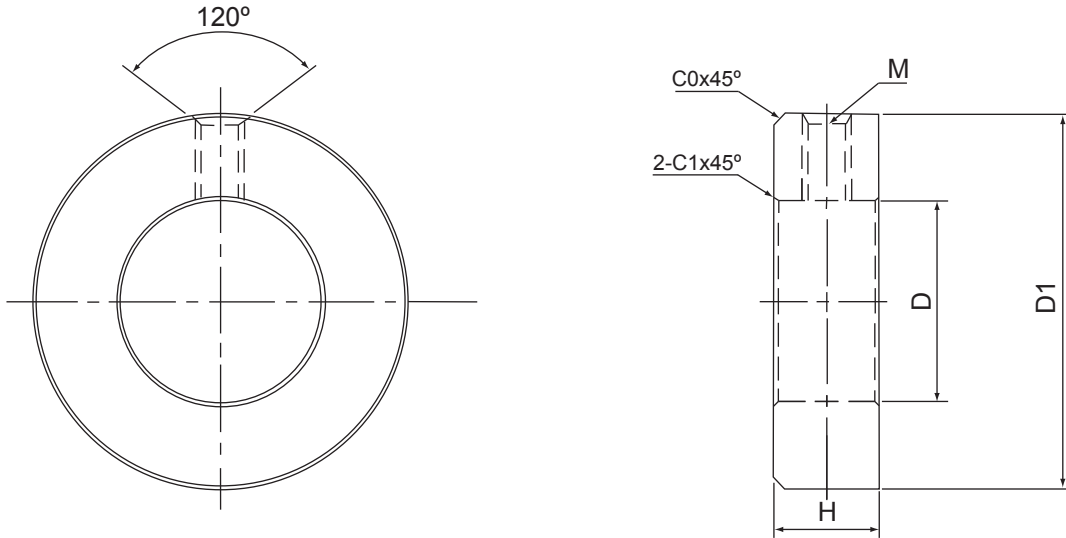




49 Heywood Ave. • West Springfield, MA 01089
 1-800-593-2323 • collarsandcouplings.com



Part Number			Metric Set Screw Collars						
Prefix	Black Oxide Steel (A283grC) (add suffix)	Stainless Steel 18-8 (add suffix)	D (I.D.)	D1 (O.D.)	H (Width)	M (Screw)	C0	C1	
SCM-3	-B	-SS	3	7	5	M-2x2.5	0.8	0.5	
SCM-4	-B	-SS	4	8	5	M-2.5x3			
SCM-5	-B	-SS	5	10	6	M-3x4	1.0	0.8	
SCM-6	-B	-SS	6	12	8	M-4x4			
SCM-8	-B	-SS	8	16	8	M-4x4			
SCM-9	-B	-SS	9	20	10	M-5x5			
SCM-10	-B	-SS	10	20	10	M-5x5			
SCM-12	-B	-SS	12	22	12	M-6x6			
SCM-13	-B	-SS	13	22	13	M-6x6			
SCM-14	-B	-SS	14	25	12	M-6x6			
SCM-15	-B	-SS	15	25	12	M-6x8			
SCM-16	-B	-SS	16	28	12	M-6x8			
SCM-18	-B	-SS	18	32	14	M-6x8			
SCM-20	-B	-SS	20	32	14	M-6x8			
SCM-22	-B	-SS	22	36	14	M-6x8			
SCM-24	-B	-SS	24	40	14	M-8x8			
SCM-25	-B	-SS	25	40	16	M-8x8			
SCM-28	-B	-SS	28	45	16	M-8x10			
SCM-30	-B	-SS	30	45	16	M-8x8			
SCM-32	-B	-SS	32	50	16	M-8x10			
SCM-34	-B	-SS	34	50	16	M-8x8			
SCM-35	-B	-SS	35	56	16	M-8x12	1.5	1.0	
SCM-36	-B	-SS	36	56	16	M-8x10			
SCM-38	-B	-SS	38	56	16	M-8x10			
SCM-40	-B	-SS	40	63	18	M-10x12			
SCM-45	-B	-SS	45	70	18	M-10x12			
SCM-50	-B	-SS	50	80	18	M-10x16			