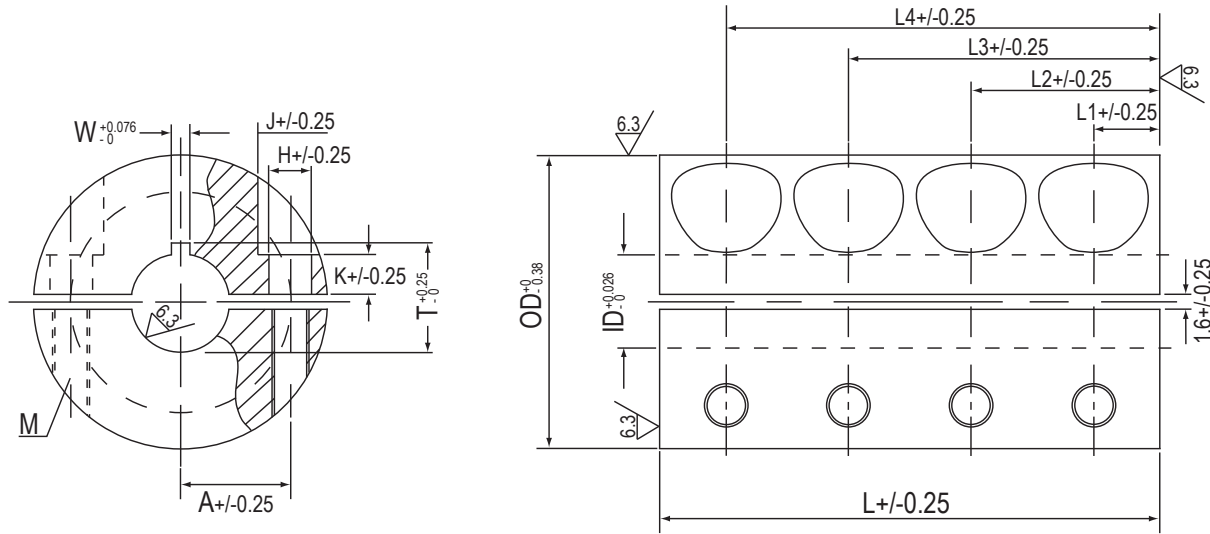




49 Heywood Ave. • West Springfield, MA 01089
 1-800-593-2323 • collarsandcouplings.com



Part Number					Metric Double Split Couplings													
Prefix	Black Oxide Steel (A283grC)		Stainless Steel 18-8		ID	OD	J	H	K	L	L1	L2	L3	L4	A	T (if requested)	W (if requested)	Screw M
	no keyway (no suffix)	keyway (add suffix)	no keyway (add suffix)	keyway (add suffix)														
2CFM-6-6		n/a	-SS	n/a	6 x 6	18	6.68	3.6	2.6	30	4.02	11.35	18.78	26.06	6	n/a	n/a	M3x8
2CFM-8-8		n/a	-SS	n/a	8 x 8	24	6.68	3.6	2.6	35	4.99	13.33	21.67	30.00	8	n/a	n/a	M3x10
2CFM-9-9		n/a	-SS	n/a	9 x 9	24	6.68	3.6	2.6	35	4.99	13.33	21.67	30.00	8.25	n/a	n/a	M3x10
2CFM-10-10		n/a	-SS	n/a	10 x 10	29	8.22	4.7	3.5	45	6.53	17.18	27.82	38.47	9.75	n/a	n/a	M4x12
2CFM-12-12		-K	-SS	-SS-K	12 x 12	29	8.22	4.7	3.5	45	6.53	17.18	27.82	38.47	10.25	13.80	4	M4x12
2CFM-14-14		-K	-SS	-SS-K	14 x 14	34	9.72	5.7	4.9	50	7.08	19.02	30.97	42.92	12	16.30	5	M5x16
2CFM-15-15		-K	-SS	-SS-K	15 x 15	34	9.72	5.7	4.9	50	7.08	19.02	30.97	42.92	12.25	17.30	5	M5x16
2CFM-16-16		-K	-SS	-SS-K	16 x 16	34	9.72	5.7	4.9	50	7.08	19.02	30.97	42.92	12.5	18.30	5	M5x16
2CFM-20-20		-K	-SS	-SS-K	20 x 20	42	11.22	6.8	5.4	65	9.63	24.88	40.12	55.37	12.5	22.80	6	M6x16
2CFM-25-25		-K	-SS	-SS-K	25 x 25	45	11.22	6.8	5.4	75	11.63	28.88	46.12	63.37	17.5	28.30	8	M6x16
2CFM-30-30		-K	-SS	-SS-K	30 x 30	53	11.22	6.8	5.4	83	13.23	32.08	50.92	69.77	20.75	33.30	8	M6x18
2CFM-35-35		-K	-SS	-SS-K	35 x 35	67	14.27	9.2	7.0	95	14.72	36.57	58.43	80.28	25.45	38.30	10	M8x25
2CFM-40-40		-K	-SS	-SS-K	40 x 40	77	14.27	9.2	7.0	108	17.32	41.77	66.23	90.68	29.25	43.30	12	M8x25
2CFM-50-50		-K	n/a	n/a	50 x 50	85	17.27	11.8	8.0	124	19.62	47.87	76.13	104.38	33.75	53.80	14	M10x25