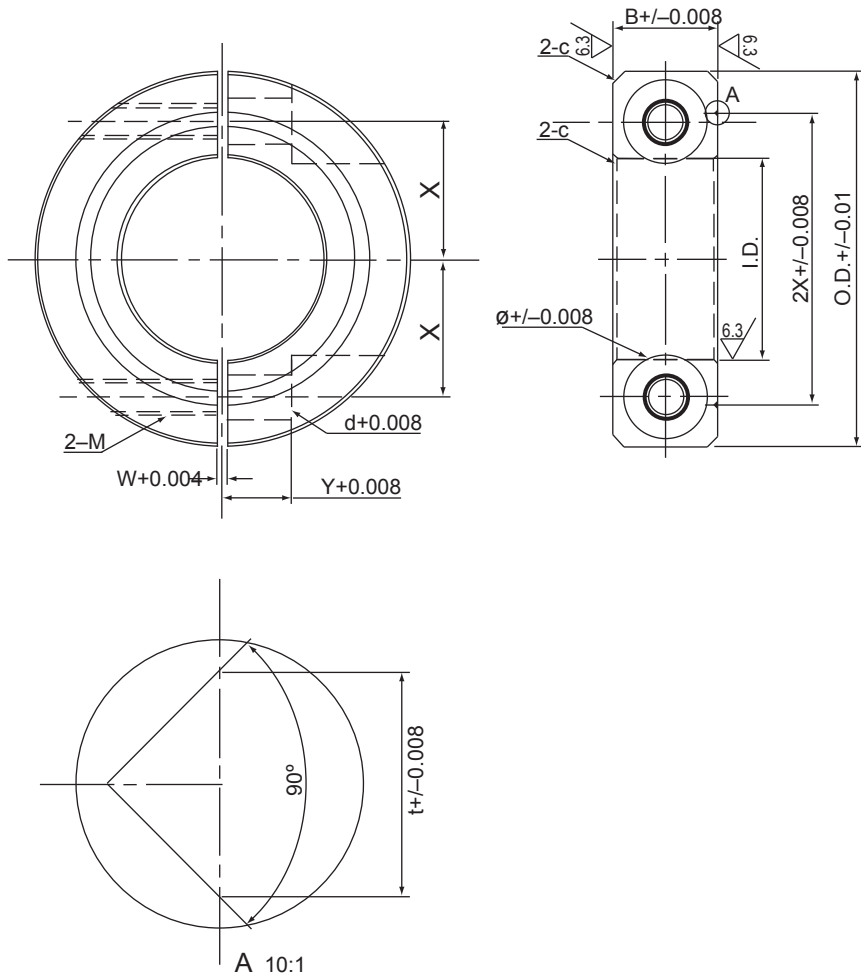




49 Heywood Ave. • West Springfield, MA 01089
 1-800-593-2323 • collarsandcouplings.com



Part Number			Heavy Inch Double Split Collars									
Prefix	Black Oxide Steel (A283grC) (add suffix)	Stainless Steel 18-8 (add suffix)	I.D.	O.D.	Width	Cap Screw	d	c	W	X	Y	t
CCI-12	-2-S-H	-2-SS-H	1/8	13/16	1/4	4-40x3/8	0.125	0.200	0.047	0.234	0.085	0.031
CCI-18	-2-S-H	-2-SS-H	3/16	13/16	1/4	4-40x3/8	0.125	0.200	0.047	0.250	0.085	0.031
CCI-25	-2-S-H	-2-SS-H	1/4	13/16	1/4	4-40x3/8	0.125	0.200	0.047	0.266	0.085	0.031
CCI-31	-2-S-H	-2-SS-H	5/16	13/16	1/4	4-40x3/8	0.125	0.200	0.047	0.281	0.085	0.031
CCI-37	-2-S-H	-2-SS-H	3/8	1-1/16	5/16	6-32x3/8	0.154	0.255	0.047	0.360	0.140	0.031
CCI-43	-2-S-H	-2-SS-H	7/16	1-1/16	5/16	6-32x3/8	0.154	0.255	0.047	0.375	0.140	0.031
CCI-50	-2-S-H	-2-SS-H	1/2	1-1/4	3/8	8-32x1/2	0.180	0.295	0.047	0.438	0.200	0.039
CCI-56	-2-S-H	-2-SS-H	9/16	1-5/16	3/8	10-32x1/2	0.180	0.295	0.047	0.453	0.200	0.039
CCI-62	-2-S-H	-2-SS-H	5/8	1-1/2	13/32	10-32x1/2	0.206	0.335	0.059	0.531	0.200	0.039
CCI-68	-2-S-H	-2-SS-H	11/16	1-1/2	13/32	10-32x1/2	0.206	0.335	0.059	0.547	0.200	0.039
CCI-75	-2-S-H	-2-SS-H	3/4	1-3/4	1/2	1/4-28x5/8	0.206	0.409	0.059	0.625	0.200	0.051
CCI-81	-2-S-H	-2-SS-H	13/16	1-3/4	1/2	1/4-28x5/8	0.206	0.409	0.059	0.641	0.200	0.051
CCI-87	-2-S-H	-2-SS-H	7/8	1-7/8	1/2	1/4-28x5/8	0.206	0.409	0.059	0.699	0.200	0.051
CCI-93	-2-S-H	-2-SS-H	15/16	1-7/8	1/2	1/4-28x5/8	0.206	0.409	0.059	0.703	0.200	0.051
CCI-100	-2-S-H	-2-SS-H	1	2	1/2	1/4-28x5/8	0.206	0.409	0.059	0.750	0.200	0.051
CCI-106	-2-S-H	-2-SS-H	1-1/16	2	1/2	1/4-28x5/8	0.206	0.409	0.059	0.765	0.200	0.051
CCI-112	-2-S-H	-2-SS-H	1-1/8	2-1/8	1/2	1/4-28x5/8	0.206	0.409	0.059	0.813	0.250	0.051
CCI-118	-2-S-H	-2-SS-H	1-3/16	2-1/8	1/2	1/4-28x5/8	0.206	0.409	0.059	0.828	0.250	0.051
CCI-125	-2-S-H	-2-SS-H	1-1/4	2-1/4	1/2	1/4-28x5/8	0.206	0.409	0.059	0.875	0.250	0.051
CCI-131	-2-S-H	-2-SS-H	1-5/16	2-1/4	1/2	1/4-28x5/8	0.206	0.409	0.059	0.891	0.250	0.051
CCI-137	-2-S-H	-2-SS-H	1-3/8	2-3/8	1/2	1/4-28x5/8	0.206	0.409	0.059	0.938	0.250	0.051
CCI-143	-2-S-H	-2-SS-H	1-7/16	2-3/8	1/2	1/4-28x5/8	0.206	0.409	0.059	0.953	0.250	0.051
CCI-150	-2-S-H	-2-SS-H	1-1/2	2-1/2	1/2	1/4-28x5/8	0.206	0.409	0.059	1.000	0.250	0.051
CCI-156	-2-S-H	-2-SS-H	1-9/16	2-1/2	1/2	1/4-28x5/8	0.206	0.409	0.059	1.016	0.250	0.051
CCI-162	-2-S-H	-2-SS-H	1-5/8	3	5/8	5/16-24x7/8	0.328	0.514	0.059	1.156	0.321	0.051
CCI-168	-2-S-H	-2-SS-H	1-11/16	3	5/8	5/16-24x7/8	0.328	0.514	0.059	1.172	0.321	0.051
CCI-175	-2-S-H	-2-SS-H	1-3/4	3	5/8	5/16-24x7/8	0.328	0.514	0.059	1.188	0.321	0.051
CCI-187	-2-S-H	-2-SS-H	1-7/8	3-1/4	5/8	5/16-24x7/8	0.328	0.514	0.059	1.281	0.321	0.051
CCI-193	-2-S-H	-2-SS-H	1-15/16	3-1/4	5/8	5/16-24x7/8	0.328	0.514	0.059	1.297	0.321	0.051
CCI-200	-2-S-H	-2-SS-H	2	3-1/4	5/8	5/16-24x7/8	0.328	0.514	0.059	1.313	0.321	0.051
CCI-212	-2-S-H	-2-SS-H	2-1/8	3-1/2	5/8	5/16-24x7/8	0.328	0.514	0.059	1.406	0.321	0.051
CCI-218	-2-S-H	-2-SS-H	2-3/16	3-1/2	5/8	5/16-24x7/8	0.328	0.514	0.059	1.422	0.321	0.051
CCI-225	-2-S-H	-2-SS-H	2-1/4	3-1/2	5/8	5/16-24x7/8	0.328	0.514	0.059	1.438	0.321	0.051
CCI-237	-2-S-H	-2-SS-H	2-3/8	3-1/2	5/8	5/16-24x7/8	0.328	0.514	0.059	1.469	0.321	0.051
CCI-243	-2-S-H	-2-SS-H	2-7/16	4	3/4	3/8-24x7/8	0.390	0.609	0.078	1.609	0.321	0.051
CCI-250	-2-S-H	-2-SS-H	2-1/2	4	3/4	3/8-24x7/8	0.390	0.609	0.078	1.625	0.321	0.051
CCI-262	-2-S-H	-2-SS-H	2-5/8	4-1/4	3/4	3/8-24x7/8	0.390	0.609	0.078	1.719	0.321	0.051
CCI-275	-2-S-H	-2-SS-H	2-3/4	4-1/4	3/4	3/8-24x7/8	0.390	0.609	0.078	1.750	0.321	0.051
CCI-287	-2-S-H	-2-SS-H	2-7/8	4-1/2	3/4	3/8-24x7/8	0.390	0.609	0.078	1.837	0.321	0.051
CCI-293	-2-S-H	-2-SS-H	2-15/16	4-1/2	3/4	3/8-24x7/8	0.390	0.609	0.078	1.859	0.321	0.051
CCI-300	-2-S-H	-2-SS-H	3	4-1/2	3/4	3/8-24x7/8	0.390	0.609	0.078	1.875	0.321	0.051
CCI-325	-2-S-H	n/a	3-1/4	4-3/4	3/4	3/8-24x1-1/4	0.390	0.609	0.078	2.000	0.321	0.051
CCI-343	-2-S-H	-2-SS-H	3-7/16	5	3/4	3/8-24x1-1/4	0.390	0.609	0.078	2.109	0.321	0.051
CCI-350	-2-S-H	-2-SS-H	3-1/2	5	3/4	3/8-24x1-1/4	0.390	0.609	0.078	2.125	0.321	0.051
CCI-393	-2-S-H	n/a	3-15/16	5-3/4	1	3/8-24x1-1/4	0.390	0.609	0.078	2.422	0.321	0.051
CCI-400	-2-S-H	-2-SS-H	4	5-3/4	1	3/8-24x1-1/4	0.390	0.609	0.078	2.438	0.321	0.051
CCI-443	-2-S-H	n/a	4-7/16	6-1/4	1	1/2-20x1-1/4	0.562	0.843	0.078	2.697	0.391	0.051
CCI-450	-2-S-H	n/a	4-1/2	6-1/4	1	1/2-20x1-1/4	0.562	0.843	0.078	2.697	0.391	0.051
CCI-493	-2-S-H	n/a	4-15/16	6-3/4	1	1/2-20x1-1/4	0.562	0.843	0.078	2.953	0.391	0.051
CCI-500	-2-S-H	n/a	5	6-3/4	1	1/2-20x1-1/4	0.562	0.843	0.078	2.953	0.391	0.051
CCI-593	-2-S-H	n/a	5-15-16	7-3/4	1	1/2-20x1-1/4	0.562	0.843	0.078	2.953	0.391	0.051